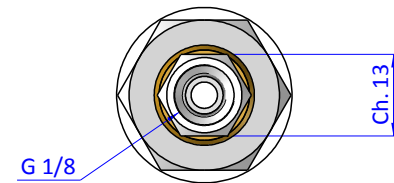
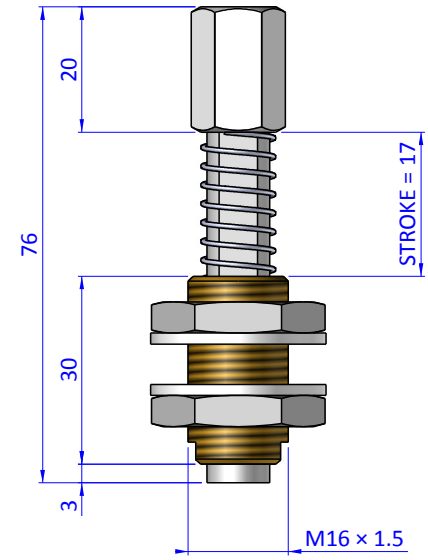
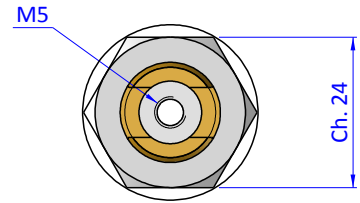
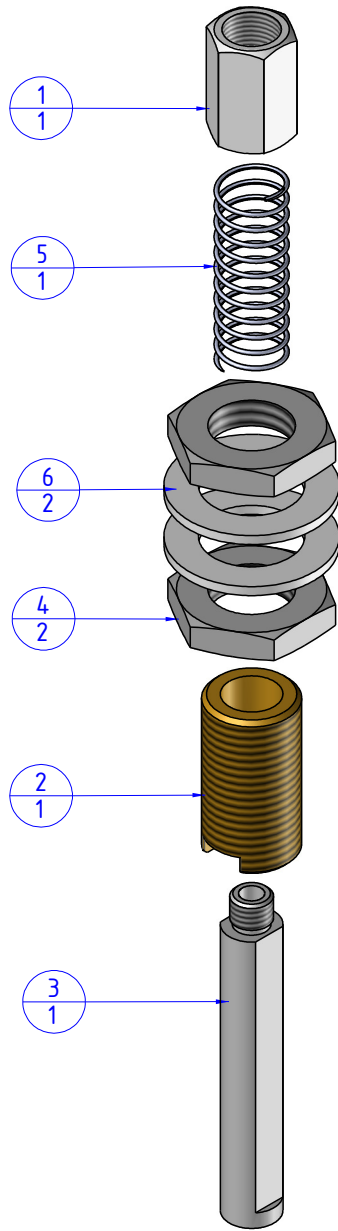


THE PROPERTY OF THE DRAWING IS ESTABLISHED BY LAW. IT IS FORBIDDEN TO PRODUCE OR SHOW IT TO THIRD PARTY, WITHOUT A WRITTEN AGREEMENT.

Item	Name	Q.ty
1	05.01.001.01	1
2	05.01.005.04	1
3	05.01.001.07	1
4	05.01.007.06	2
5	M.12X39.50	1
6	R.16.SCH	2



Format A3
UNI 936-76

		DESIGNED FROM	REVIEW
		FP SERVICES	A / 11
GENERAL TOLERANCE	DESCRIPTION	DATE	WEIGHT
UNI - ISO 2768	CA.05.01.010	13/02/2019	0,085kg
CLASSE f		CODE	CA.05.01.010